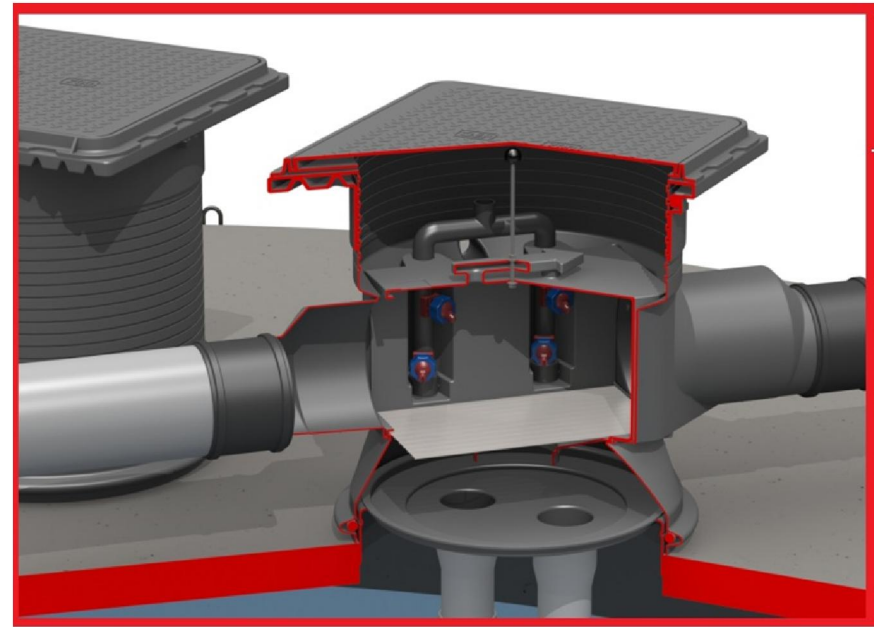


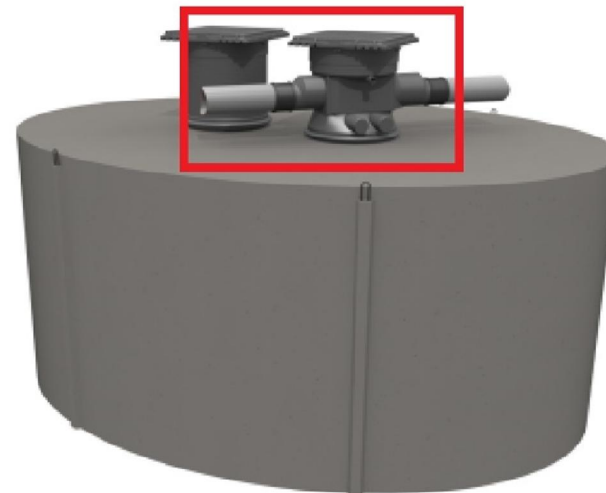
Commercial building AGIO



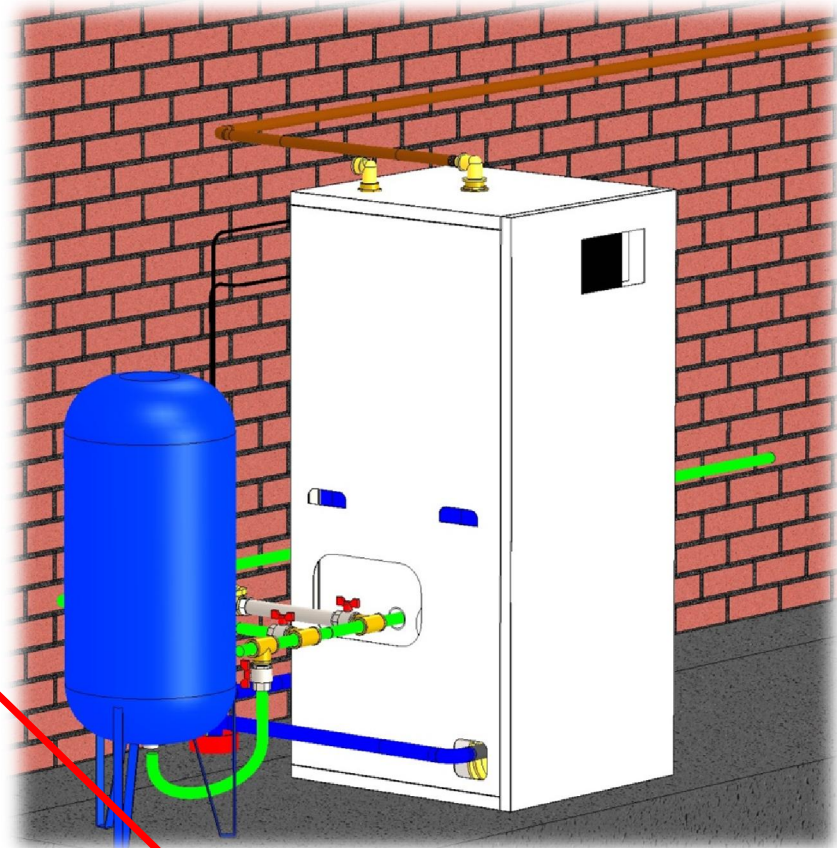
A commercial building equipped with a rainwater system. The rainwater is harvest from a roof of 1.500 m². The rainwater is filtered and stored in a tank of 20.000 liter. This filtered rainwater is used for toilet flushing.



Detail

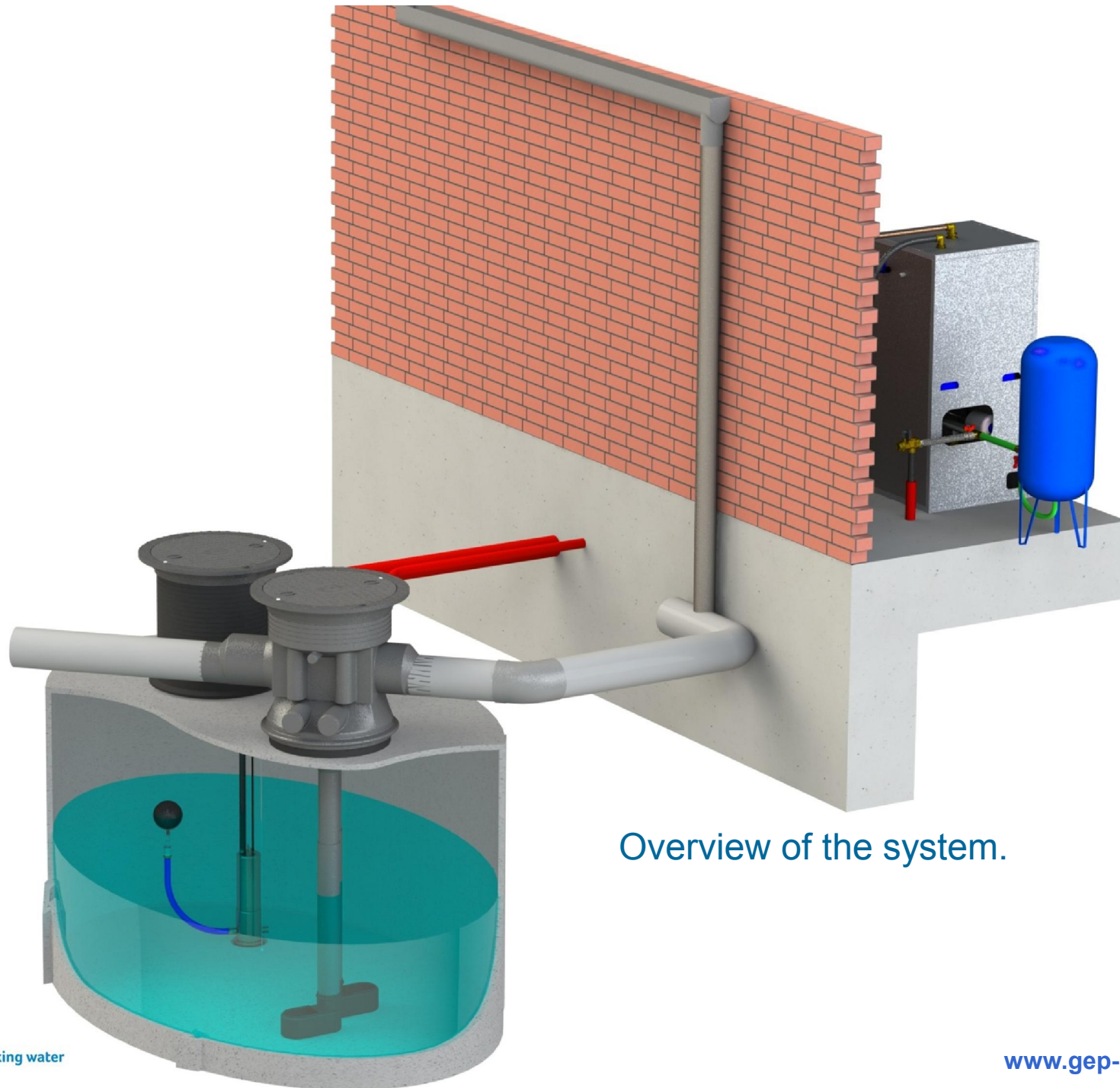


The Trident 1.650 rainwaterfilter is equipped with a removable filterbox for an easy inspection. Automatic filtercleaning is done by filternozzles.

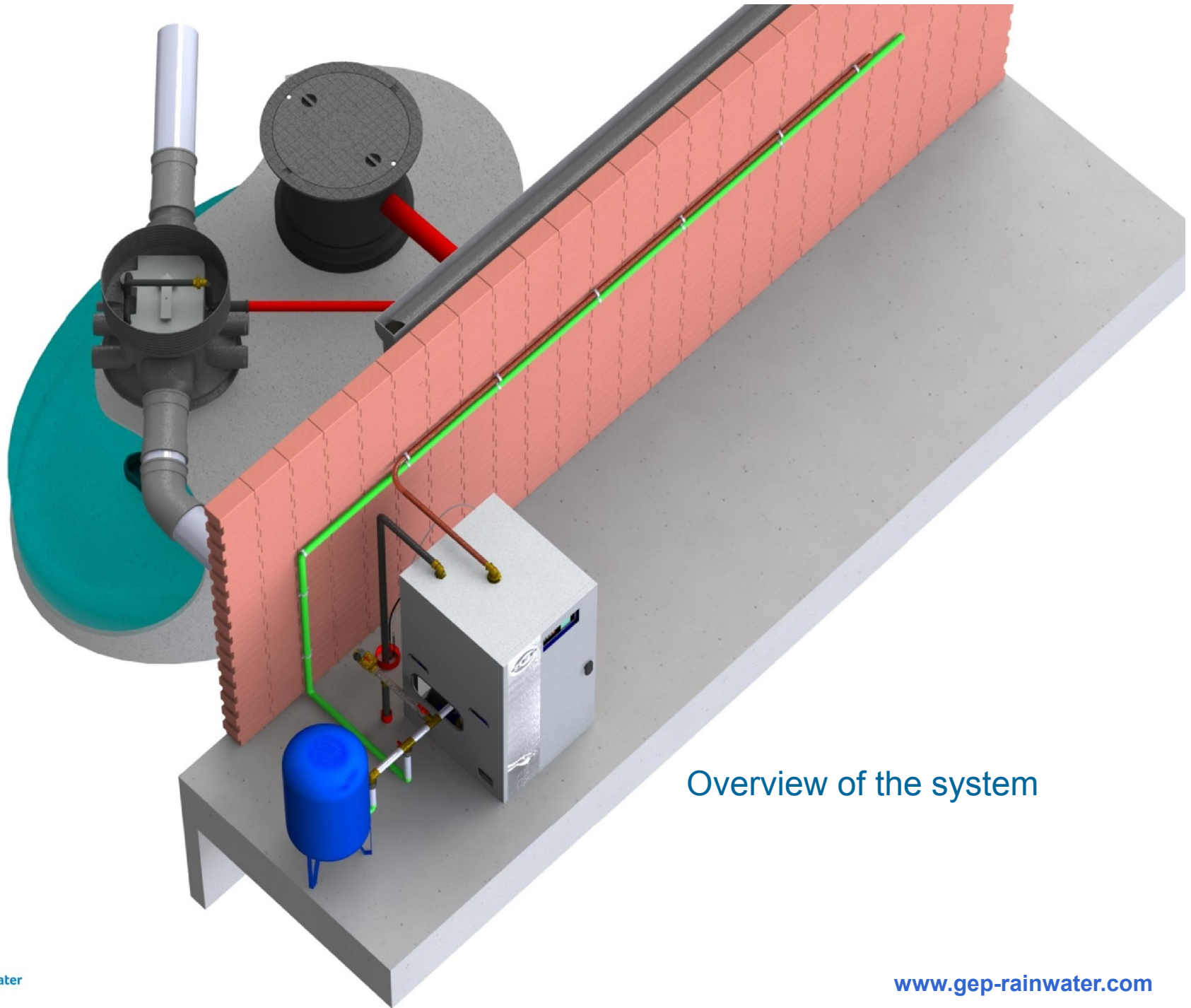


To keep a constant waterpressure there are 2 pumps fitted in the device with a steel enclosure. The system controls the entire rainwater system, including automatic filtercleaning.





Overview of the system.



Overview of the system